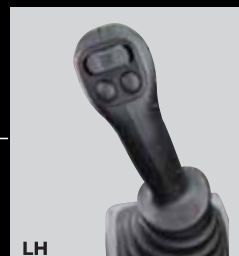
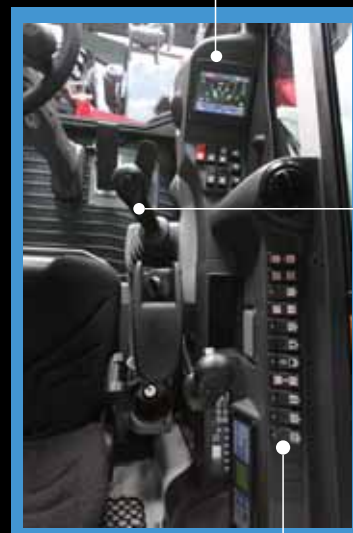




## EASE OF OPERATION

EVOLUTION OF TECHNOLOGY

- ADJUSTABLE SERVICE FLOW SETTINGS
- SERVICE PORT 1: ADJUSTABLE THREE MODE FLOW SETTINGS
- SERVICE PORT 2 / 4: ADJUSTABLE ONE MODE FLOW SETTING
- POWER DRIVE MODE ■ HST TRAVEL SYSTEM
- DIFFERENTIAL LOCK SYSTEM ON REAR AXLE (OPTION)
- AUTO DECEL SYSTEM
- PARALLEL LINKAGE OPERATION DOZER BLADE
- OPEN BACK TYPE OUTRIGGER (OPTION)
- 2-WAY CONTROL LEVER (Changeable joystick configuration) (OPTION)



# W

## TB295W FULL HYDRAULIC WHEELED EXCAVATOR

### OPERATOR COMFORT

EVOLUTION OF TECHNOLOGY

- POWERFUL ISUZU ENGINE complied with Stage IIIB (73 kW)
- 6-WAY MULTI-ADJUSTABLE SUSPENSION SEAT and retractable seat belt (AIR SUSPENSION SEAT: OPTION)
- ROLL UP FRONT WINDOW with gas spring lift assist cylinder
- RADIO WITH AUXILIARY JACK for MP3 Player
- SUN SHADE (STANDARD)
- RAIN GUARD (OPTION)
- AUTO AIR CONDITIONER (STANDARD)



### SERVICEABILITY

EVOLUTION OF TECHNOLOGY

- WIDE OPENING ENGINE COVER
- LARGE SIDE COVER with gas spring lift assist
- SIGHT GAUGES FOR FUEL AND HYDRAULIC FLUID LEVELS
- GROUND LEVEL FUEL FILL WITH LOCKABLE ACCESS PANEL
- AUTOMATIC FUEL BLEED SYSTEM



### SAFETY

EVOLUTION OF TECHNOLOGY

- AUDIBLE AND VISUAL WARNING WITH LCD MONITOR
- FRONT AND REAR MOUNTED LIGHTS
- WORK LIGHT FRONT × 2nd rear × 1 (OPTION)
- BACK MONITOR (OPTION)
- ROPS / FOPS CAB (FOPS level 1: STANDARD / level 2: OPTION)
- PILOT CIRCUIT FILTER
- BOOM HOLDING VALVE (STANDARD) / ARM HOLDING VALVE (OPTION) / ADJUST HOLDING VALVE (OPTION: 2-PIECE BOOM)

## EQUIPMENTS & OPTIONS

EVOLUTION OF TECHNOLOGY

### OPERATOR COMFORT

- AIR SUSPENSION SEAT (OPTION)
- AUTO DECEL (STANDARD)
- AUTOMATIC AIR CONDITIONER (STANDARD)
- FABRIC SEAT (STANDARD)
- HEAD REST (STANDARD)
- RAIN GUARD (OPTION)
- RETRACTABLE SEAT BELT (STANDARD)
- SUN SHADE (STANDARD)
- RADIO



### SERVICEABILITY

- AIR BREATHER (STANDARD)
- DUAL AIR FILTER ELEMENT (STANDARD)
- FUEL TRANSFER PUMP (STANDARD)

### EASE OF OPERATION

- AUTO DECEL (STANDARD)
- HEAVY COUNTER WEIGHT (STANDARD)
- SWING STOPPER (STANDARD)
- AUTO PRESSURE RELEASE (OPTION)
- AUTO TANK SYSTEM (OPTION)

### SERVICE PORT

- SERVICE PORT1 (HIGH FLOW TYPE: STANDARD)
- SERVICE PORT2 (STANDARD)
- SERVICE PORT3 (OPTION)
- SERVICE PORT4 (OPTION)

### HOLDING VALVE

- BOOM HOLDING VALVE (STANDARD)
- ARM HOLDING VALVE (OPTION)
- ADJUST CYLINDER HOLDING VALVE (OPTION: 2-PIECE BOOM)



### SAFETY

- ROOF GUARD (OPTION: for OPG TOP GUARD LEVEL 2)
- WORK LIGHT, CABIN (OPTION)
- FRONT GUARD (OPTION: for OPG FRONT GUARD LEVEL 2)
- SWING STOPPER (OPTION)
- BACK MONITOR (OPTION)

### OTHER EQUIPMENTS & OPTIONS

- MONO BOOM (OPTION)
- 2-WAY LEVER (OPTION)
- ACCUMULATOR (STANDARD)
- OUTRIGGER (OPTION)
- DIFFERENTIAL LOCK SYSTEM (OPTION)



FULL HYDRAULIC WHEELED EXCAVATOR

# TB295W

Machine Weight : 9830kg



TAKEUCHI

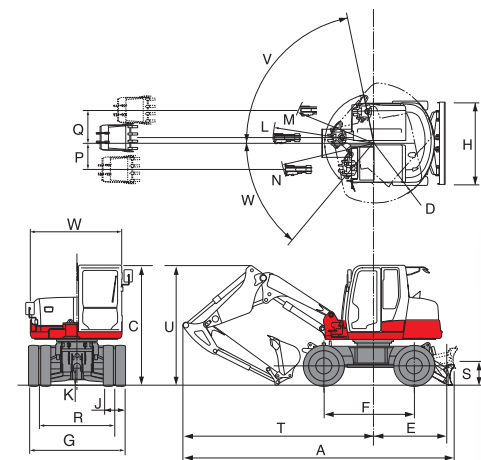
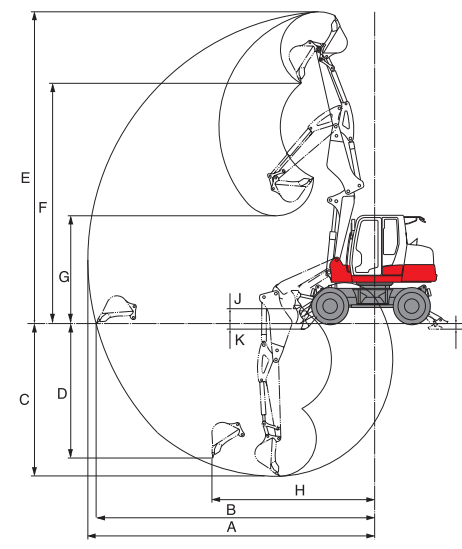
TAKEUCHI

**Operating Range**

A	7730
B	7505
C	4115
D	3625
E	8400
F	6475
G	2905
H	4385
J	400
K	150

**Dimensions**

A	6630
B	2235
C	2930
D	1690
E	1680
F	2200
G	2335
H	2300
J	515
K	320
L	2675
M	2190
N	2495
P	890
Q	685
R	1810
S	500
T	4620
U	2910
V	70°
W	60°



FULL HYDRAULIC WHEELED EXCAVATOR

# TB295W

Machine Weight : 9830kg



**SPECIFICATIONS**

Basic Specifications / Dimensions			Hydraulic Performance		
Machine Mass (2Piece Boom)	kg	9830	Rated Flow Rate Travel	L/min	156
Bucket Capacity	m <sup>3</sup>	0.245	Set Pressure Travel	MPa	35
Bucket Width	mm	750	Rated Flow Rate Working	L/min	160
Engine Manufacturer	—	ISUZU	Set Pressure Working	MPa	27.5
Engine Model	—	4JJ1X	Rated Flow Rate Slewing	L/min	60.6
Rated Output (ISO 9249)	kW	77	Set Pressure Slewing	MPa	24
Rated Speed	min <sup>-1</sup>	2000	Service Port 1 Flow Rate	L/min	120
Fuel Tank Capacity	L	148	Service Port 1 Pressure	MPa	20.6
Overall Length in Transport Condition	mm	6630	Service Port 1 Control	—	Slider/Button SW
Overall Width in Transport Position	mm	2335	Service Port 2 Flow Rate	L/min	55
Overall Height in Transport Condition	mm	2930	Service Port 2 Pressure	MPa	20.6
Wheel Base	mm	2200	Service Port 2 Control	—	Slider SW
Tire Overall Width	mm	2335	Service Port 3 Flow Rate (A/B)	L/min	16/55
Dozer Blade Width x Height	mm	2300x500	Service Port 3 Pressure (A/B)	MPa	3.5/20.6
Rear-end Swing Radius	mm	1690	Service Port 3 Control	—	Button SW
Track Shoe Width	mm	8.25-20Twin tires	Slew Speed	min <sup>-1</sup>	10.3
Ground Clearance of Undercarriage	mm	320	Travel Speed	km/h	OFF-ROAD 5.1 ON-ROAD 9.8/29.2
<b>Operating Ranges (Long Arm) / Digging Force</b>			Maximum Traction Force (Calculated)	kN	58.2
Maximum Digging Depth	mm	4115	Slew / Travel Parking Brake		○/○
Maximum Reach	mm	7730	<b>Equipment</b>		
Boom Swing Angle Left / Right	deg	70/60	Monitoring Display (Items/Fuel Gauge/Coolant Temperature)		5.7LCD/○/○
Dozer Blade Operating Range Upper / Lower	mm	400/150	HST (Travel Circuit)		○
Bucket Digging Force	kN	58.9	Load Sensing		○
Arm Digging Force	kN	39.7	<b>Vibration levels (EN 12096:1997)</b>		
Long Arm Length	mm	2130	Hand/Arm		≤ 2.5m/s <sup>2</sup>
			Body		≤ 0.5m/s <sup>2</sup>

TAKEUCHI

WORLD CREATOR OF COMPACT EXCAVATOR  
**TAKEUCHI MFG.CO.,LTD.**  
 205, Uwadaira,Sakaki-machi, Hanisina-gun,  
 Nagano 389-0605,Japan  
 Phone (81)268-81-1112  
 Telefax (81)268-81-1121  
 URL <http://www.takeuchi-mfg.co.jp>  
 E-mail: [marketing@takeuchi-mfg.com](mailto:marketing@takeuchi-mfg.com)

In accordance with our established policy of constant improvement, we reserve the right to amend this specification at any time without notice. Printed in Japan. TB131030

FULL HYDRAULIC WHEELED EXCAVATOR

# TB295W

Machine Weight : 9830kg



TAKEUCHI