



ENGINE

| | |
|--|---|
| Model | : ISUZU-AI-4HK1X |
| Type | : Water-cooled, 4 cycle, 4 cylinders, line type direct injection, turbocharger, intercooler, electronic diesel engine |
| Power | : 162HP / 2000 d/d SAE J1349 (Net) : 172HP / 2000 d/d SAE J1995 (Gross) |
| Max. Torque | : 656 Nm / 1500 rpm (Net) : 677 Nm / 1500 rpm (Gross) |
| Displacement | : 5193 cc |
| Bore and Stroke | : 115 mm x 125 mm |
| Emission Class | : FAZ III-A (Tier III) * (UNECE R96) |
| This new engine complies with the Emission Regulations U.S. EPA Tier III, and and EU Stage III-A | |

UNDERCARRIAGE

| | |
|---|-------------------------------|
| X Type Lower Frame Construction Pentagon Box Type Chassis | |
| Shoe | : Triple grouser |
| No. Of Shoes | : 2 x 49 |
| No. Of Lower Rollers | : 2 x 9 |
| No. Of Upper Rollers | : 2 x 2 |
| Track Tensioning | : Hydraulic Spring Tensioning |

CAB

- Wide cab and easy entrance
- Use of six viscomount cabin mountings that dampen the vibrations
- Cooled storage room
- Colourful, Easy to read TFT indicant monitor
- Glass holder, book and object storage pockets
- Full automatic digitally air-conditioner
- Overclass standarts on the visibility
- Pool type floor mat
- Improved operator's comfort through versatile adjustable seat
- Ergonomically redesigned cabin through relocated switch board, and re-styled travel pedals and levers
- USB connected MP3 player
- Easy to open the front sliding glass
- Front and rear sun visor
- Large storage areas
- Height adjustable joystick
- Improved seat to back angle
- The height adjustable seat armrests
- Opera Control System

TRAVEL AND BRAKERS

| | |
|-------------------------|--|
| Travel | : Fully hydrostatic |
| Travel Motors | : Axial piston type |
| Reduction | : 2 stage planetary gear |
| Travel Speed | |
| High Speed | : 5,8 km/h |
| Low Speed | : 3,8 km/h |
| Max. Drawbar Pull | : 18,435 kgf |
| Gradeability | : 35° (%70) |
| Parking Brake | : Hydraulic multi disc type, integrated transmission |
| Ground pressure (600mm) | : 0,50 kgf/cm ² |

HYDRAULIC SYSTEM

| | |
|----------------------|---|
| Main Pump | |
| Type | : Double variable displacement axial piston pumps |
| Max. Flow | : 2 x 234 lt/dk |
| Pilot Pump | : Gear, 19 lt/dk |
| Relief Valves | |
| Attachment | : 330 kgf/cm ² |
| Power Boost | : 350 kgf/cm ² |
| Travel | : 350 kgf/cm ² |
| Swing | : 240 kgf/cm ² |
| Pilot | : 40 kgf/cm ² |
| Cylinders | |
| Main Boom | : 2 x ø 125 x ø 85 x 1.325 mm |
| Stick Cylinder | : 1 x ø 140 x ø 100 x 1.640 mm |
| Bucket Cylinder | : 1 x ø 125 x ø 85 x 1.060 mm |

Opera Control System

| | |
|---|---|
| • Easy-to-use control panel and menus | • Overheat prevention and protection system without interrupting the work |
| • Improved fuel economy and productivity | • Automatic idling Selection of multi-language on control panel |
| • Automatical electric power-off | • Rear-view, arm-view camera (Optional) |
| • Maximum efficiency by selection of power and work modes | • Possibility to register 26 different operating hours |
| • Error mode registry and warning system | • Anti-theft system with personal code |
| • Hidromek Smartlink | • Real time monitoring of operational parameters such as pressure, temperature, engine load |
| • Automatic preheating | |
| • Automatical powerboost (Optional) | |

SWING SYSTEM

| | |
|--------------|---|
| Swing Motor | : Axial piston type integrated with shock absorber valves |
| Reduction | : 2 stage planetary gear box. |
| Swing Brakes | : Hydraulic multi disc type, automatic warnings |
| Swing Speed | : 10,8 rpm |

CAPACITY

| | | | |
|------------------|-----------|------------------|------------|
| Fuel Tank | : 354 lt | Engine Oil | : 20,5 lt |
| Hydraulic Tank | : 155 lt | Swing Reduction | : 5 lt |
| Hydraulic System | : 295 lt | Travel Reduction | : 2x5,3 lt |
| Radiator | : 29,3 lt | | |

ELECTRICAL SYSTEM

| | |
|----------------|---------------------|
| Voltage | : 24 V |
| Battery | : 2 x 12 V x 100 Ah |
| Alternator | : 24 V / 50 A |
| Starting Motor | : 24 V / 5,0 kw |

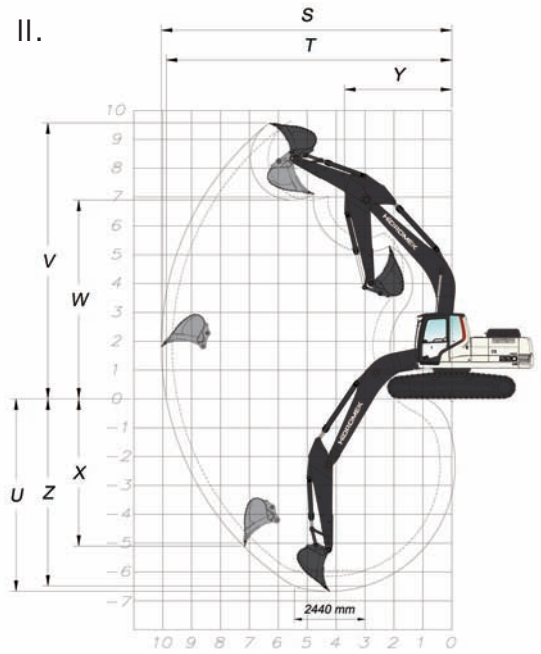
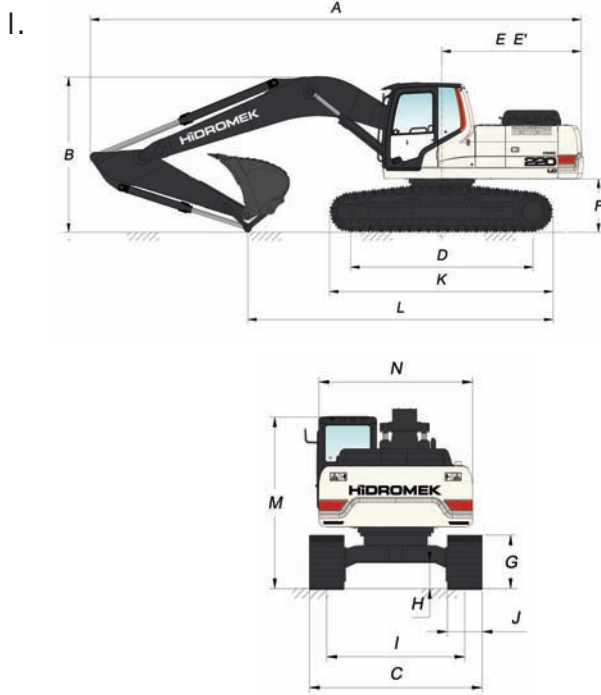
LUBRICATION

Centralized lubrication system is provided for lubrication all difficult-to-reach parts on the components, such as boom and arm

OPERATING WEIGHT

| | |
|-----------------------------------|-------------|
| Standard machine operating weight | : 23.350 kg |
|-----------------------------------|-------------|

HMK 220 LC



I. GENERAL DIMENSIONS

| | | |
|---------------------------------------|----------------------------|------------|
| Boom Dimension | 5.800 mm | |
| Arm Dimension | 2.400 mm | * 2.920 mm |
| A - Overall Length | 9.800 mm | 9.790 mm |
| B - Boom (Shipping) Height | 3.150 mm | 3.090 mm |
| C - Lower Frame Width (LC) | * 2.990 / 3.090 / 3.190 mm | |
| C* - Lower Frame Width (NLC) | 2.540 mm | |
| D - Track Base Length | 3.640 mm | |
| E - Counterweight Distance | 2.820 mm | |
| E* - Counterweight Turning Radius | 2.840 mm | |
| F - Upper Chassis to Ground Clearance | 1.065 mm | |
| G - Crawler Height | 935 mm | |
| H - Ground Clearance | 465 mm | |
| I - Track Gauge (LC / NLC) | 2.390 mm / 2.040 mm | |
| J - Shoe Width (LC) | * 600 / 700 / 800 mm | |
| J - Shoe Width (NLC) | 500 mm | |
| K - Lower Chassis Length (from shoe) | 4.460 mm | |
| L - Shipping Length | 5.420 mm | |
| M - Cab Height | 2.985 mm | |
| N - Upper Frame Width | 2.660 mm | |

* Standard

II. WORKING DIMENSIONS

| | | |
|---|----------|------------|
| Boom Dimension | 5.800 mm | |
| Arm Dimension | 2.400 mm | * 2.920 mm |
| S - Maximum Reach Distance | 9.640 mm | 10.050 mm |
| T - Maximum Reach at Ground Level | 9.460 mm | 9.880 mm |
| U - Maximum Digging Depth | 6.150 mm | 6.670 mm |
| V - Maximum Digging Height | 9.530 mm | 9.550 mm |
| W - Maximum Unloading Height | 6.810 mm | 6.890 mm |
| X - Maximum Vertical Wall Digging Depth | 5.070 mm | 5.250 mm |
| Y - Minimum Swing Radius | 3.790 mm | 3.750 mm |
| Z - Maximum Digging Depth (2440 mm level) | 5.950 mm | 6.490 mm |

* Standard

III. DIGGING PERFORMANCE

| | |
|--|--------------------------|
| Standard Bucket Capacity | 1,0 m ³ (SAE) |
| Bucket Digging Force (Power Boost) ISO | 15.800 (16.700) kgf |
| Arm Crowd Force (Power Boost) ISO | 11.600 (12.300) kgf |



HIDROMEK®

FACTORY - HEAD OFFICE

Ayas yolu 25. km 1. Organize Sanayi Bölgesi Osmanlı Caddesi No: 1
06935 Sincan / ANKARA / TURKEY
Tel: (+90) 312 267 12 60 Fax: (+90) 312 267 12 39
www.hidromek.com

Notice:

Hidromek has the right to modify the specifications and design of the model indicated on this brochure without prior notice.