



ENGINE

Model	: ISUZU AJ-4JJ1X
Type	: Water cooled, 4 cycle, 4 cylinders, line type direct injection, turbocharger, intercooler, electronic diesel engine
Power	: 95 HP / 2000 rpm / SAE J1349 (Net) : 98 HP / 2000 rpm / SAE J1995 (Gross)
Max. Torque	: 378 Nm / 1600 rpm (Net) : 385 Nm / 1600 rpm (Gross)
Displacement	: 2999 cc
Bore and Stroke	: 95,4 mm x 104,9 mm
Emission Class	: FAZZ III-A (tier III) * (UNECE R96)
* This engine complies with the Emission Regulations U.S. EPA Tier III, and EU Stage III-A	

UNDERCARRIAGE

X Type Lower Frame Construction Pentagon Box Type Chassis	
Shoe	: Triple grouser 500, 600, 700 mm : 500 mm (Rubber)
No. Of Shoes	: 2 x 46
No. Of Lower Rollers	: 2 x 7
No. Of Upper Rollers	: 2 x 2
Track Tensioning	: Hydraulic Spring Tensioning

CAB

- Wide cab and easy entrance
- Use of six viscomount cabin mountings that dampen the vibrations
- Cooled storage room
- Colourful, Easy to read TFT indicant monitor
- Glass holder, book and object storage pockets
- Full automatic digitally air-conditioner
- Overclass standarts on the visibility
- Pool type floor mat
- Improved operator's comfort through versatile adjustable seat
- Ergonomically redesigned cabin through relocated switch board, and re-styled travel pedals and levers
- USB connected MP3 player
- Easy to open the front sliding glass
- Front and rear sun visor
- Large storage areas
- Height adjustable joystick
- Improved seat to back angle
- The height adjustable seat armrests
- Opera Control System

TRAVEL AND BRAKERS

Travel	: Fully hydrostatic
Travel Motors	: Axial piston type
Reduction	: 2 stage planetary gear
Travel Speed	
High Speed	: 5,7 km/h
Low Speed	: 3,4 km/h
Max. Drawbar Pull	: 11.390 kgf
Gradeability	: 35° (%70)
Parking Brake	: Hydraulic multi disc type, integrated transmission
Ground Pressure (500mm Shoe): 0,44 kgf/cm ²	

HYDRAULIC SYSTEM

Main Pump	
Type	: Double variable displacement axial piston pumps
Max. Flow	: 2 x 130 lt/dk
Pilot Pump	: Gear, 20 lt/dk (10 cc/rev)
Relief Valves	
Attachment	: 320 kgf/cm ²
Power Boost	: 350 kgf/cm ²
Travel	: 350 kgf/cm ²
Swing	: 260 kgf/cm ²
Pilot	: 40 kgf/cm ²
Cylinders	
Main Boom	: 2 x ø 110 x ø 75 x 1.080 mm
Stick Cylinder	: 1 x ø 115 x ø 80 x 1.225 mm
Bucket Cylinder	: 1 x ø 100 x ø 70 x 910 mm

Opera Control System

• Easy-to-use control panel and menus	• Overheat prevention and protection system without interrupting the work
• Improved fuel economy and productivity	• Automatic idling Selection of multi-language on control panel
• Automatical electric power-off	• Rear-view, arm-view camera (Optional)
• Maximum efficiency by selection of power and work modes	• Possibility to register 26 different operating hours
• Error mode registry and warning system	• Anti-theft system with personal code
• Hidromek Smartlink	• Real time monitoring of operational parameters such as pressure, temperature, engine load
• Automatic preheating	
• Automatical powerboost (Optional)	

SWING SYSTEM

Swing Motor	: Axial piston type integrated with shock absorber valves
Reduction	: 2 stage planetary gear box.
Swing Brakes	: Hydraulic multi disc type, automatic warnings
Swing Speed	: 11,2 rpm

CAPACITY

Fuel Tank	: 270 lt	Engine Oil	: 16 lt
Hydraulic Tank	: 116 lt	Swing Reduction	: 2,6 lt
Hydraulic System	: 210 lt	Travel Reduction	: 2x2,1 lt
Radiator	: 21 lt		

ELECTRICAL SYSTEM

Voltage	: 24 V
Battery	: 2 x 12 V x 100 Ah
Alternator	: 24 V / 50 A
Starting Motor	: 24V / 4 kW

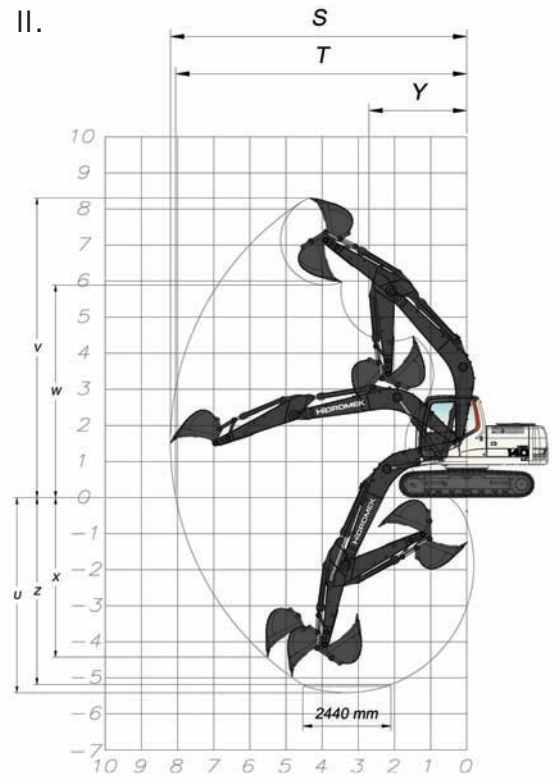
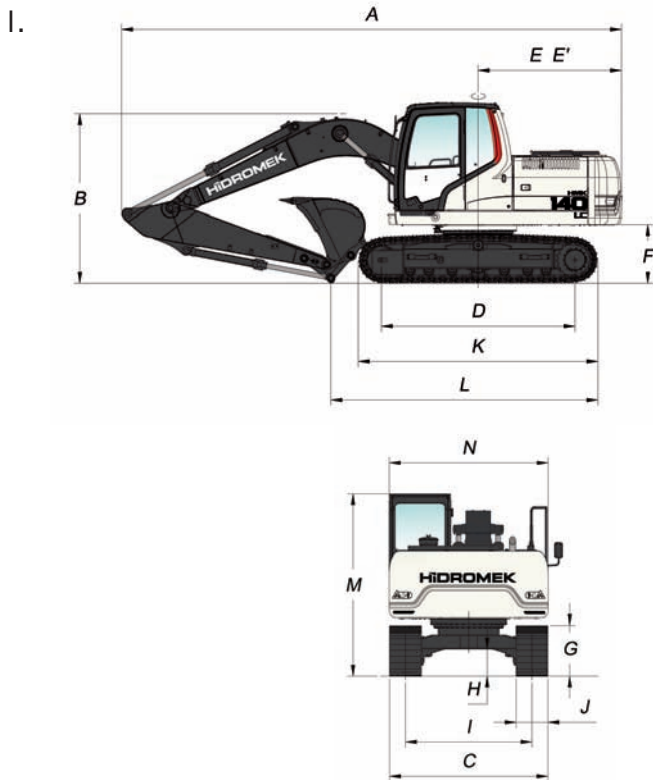
LUBRICATION

Centralized lubrication system is provided for lubrication all difficult-to-reach parts on the components, such as boom and arm

OPERATING WEIGHT

Standard machine operating weight (500mm Shoe)	: 14.650 kg
Operating weight (With dozer blade) (500mm Shoe)	: 15.650 kg

HMK 140LC



I. GENERALE DIMENSIONS

Boom dimension		4.600 mm			
Arm dimension		2.000 mm	* 2.300 mm	2.600 mm	2.900 mm
A	Overall length	7.880 mm	7.890 mm	7.880 mm	7.850 mm
B	Overall height(to top of boom)	2.710 mm	2.820 mm	2.980 mm	3.100 mm
C	Overall width (of lower structure)	*2.490 / 2.590 / 2.690 mm			
D	Idler distance	3.035 mm			
E	Tall swing radius	2.250 mm			
E'	Tall swing distance	2.340 mm			
F	Upperstructure ground clearance	940 mm			
G	Crawler height	800 mm			
H	Min. Ground clearance	430 mm			
I	Track gauge	1.990 mm			
J	Shoe width	*500 / 600 / 700 mm			
K	Overall length of crawler	3.780 mm			
L	Length over ground	4.470 mm			
M	Overall height(to top of cab)	2.880 mm			
N	Upperstructure width	2.500 mm			

II. WORKING DIMENSIONS

S	Max. digging reach	7.910 mm	8.190 mm	8.490 mm	8.780 mm
T	Max. digging reach at ground level	7.750 mm	8.040 mm	8.350 mm	8.640 mm
U	Max. digging depth	5.090 mm	5.390 mm	5.690 mm	5.990 mm
V	Max. digging height	8.120 mm	8.320 mm	8.560 mm	8.740 mm
W	Max. dumping height	5.720 mm	5.900 mm	6.130 mm	6.310 mm
X	Max. vertical digging depth	3.990 mm	4.360 mm	4.780 mm	5.060 mm
Y	Min. swing radius	2.740 mm	2.730 mm	2.770 mm	2.800 mm
Z	Max. digging depth(2440mm level)	4.840 mm	5.160 mm	5.480 mm	5.800 mm

III. DIGGING PERFORMANCE

Standard Bucket Capacity	0,75 m ³ (SAE)	0,6 m ³ (SAE)	0,6 m ³ (SAE)	0,52 m ³ (SAE)
Bucket Digging Force(Power Boost) ISO	9.700 (10.600) kgf	9.700 (10.600) kgf	9.700 (10.600) kgf	9.700 (10.600) kgf
Arm Crowd Force(Power Boost) ISO	7.600 (8.400) kgf	7.000 (7.600) kgf	6.400 (7.000) kgf	5.800 (6.400) kgf

* Standard

HİDROMEK®

FACTORY - HEAD OFFICE

Ayas yolu 25. km 1. Organize Sanayi Bölgesi Osmanlı Caddesi No: 1
06935 Sincan / ANKARA / TURKEY
Tel: (+90) 312 267 12 60 Fax: (+90) 312 267 12 39
www.hidromek.com

Notice:
Hidromek has the right to modify the specifications and design of the model indicated on this brochure without prior notice.